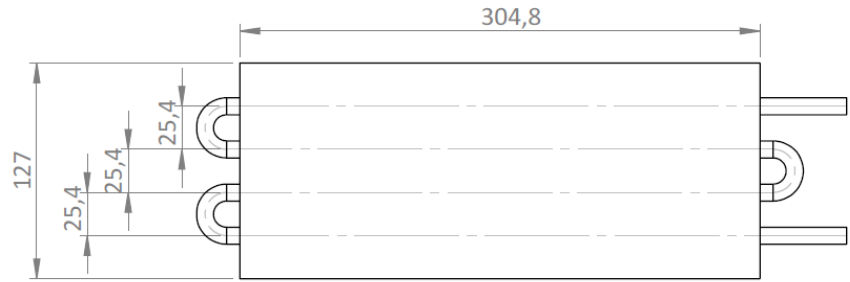
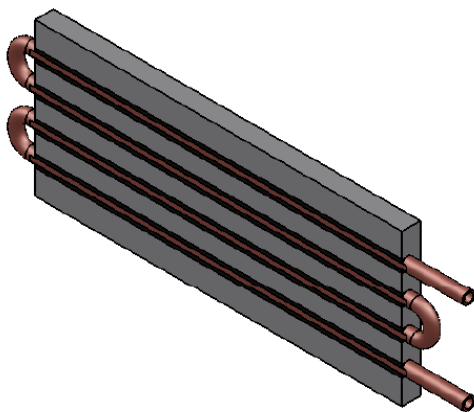
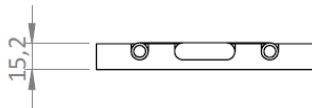


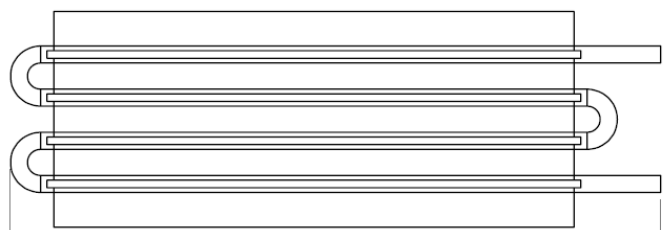


**Simple and robust
Cu pipe cold plate**

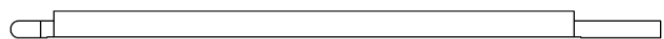


0.1/100

Ra 1.6



(381)

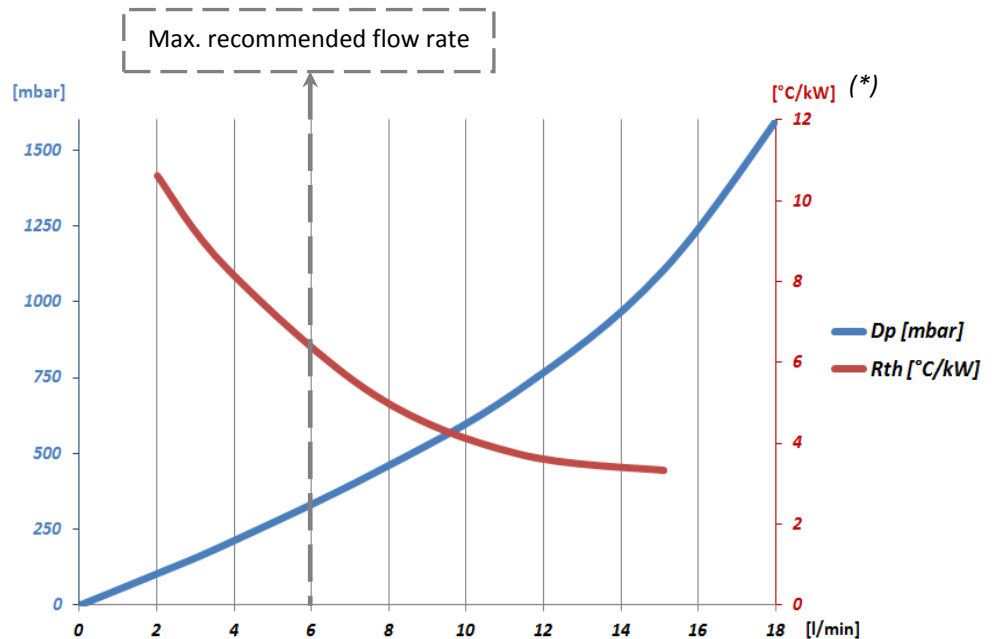


- ✓ Standard size: 127 x 304.8 x 15.2 mm
- ✓ Materials: Aluminum alloy Al EN AW 6063 (plate) + Copper (tube)
- ✓ Tube: OD = 10 mm; ID = 7 mm
- ✓ Leak free (100% tested @ 10 bar)
- ✓ Direct contact between electrical devices and skimmed tubes to guarantee the best thermal performances

Available options:

- ✓ Customized hole pattern
- ✓ Customized water connections

Please contact Priatherm
info@priatherm.com
for any technical support



(*) R_{th} :LCP surface to inlet water by homogeneous power loss distribution (Water + Ethylene Glycol 50%vol. @40°C)